

**YELLOW**<sup>TM</sup>  
EQUIPMENT



SCAN  
QR CODE FOR  
PRODUCT INFO

# CHAMPION IN ITS CLASS

RELIABLE.  
COST-EFFECTIVE.  
PRODUCTIVE.

CONSTRUCTION MACHINERY



**COMPACT EXCAVATORS**  
**SY135C** **SANY**  
Quality Changes the World

Engine  
ISUZU 4JJ1X  
Rated power  
73 kW / 2000 rpm  
Bucket capacity  
0.6 m<sup>3</sup>  
Operating mass  
15 100 kg

# SANY

## For challenging tasks, you need a first-class partner

Quality comes from experience. And from new ideas. This is why we combine these two crucial factors at SANY. This is because we are one of the world's leading producers, having sold more than **250 000** excavators in **10 years**. This means that you can always rely on sophisticated products that have been tried and tested in practice. An impressive **5–7%** of our annual turnover is dedicated to research and development. This is why we give you not only our word, but also our extraordinary **five-year warranty** as a guarantee of how powerful and robust our products are.

**250 000**  
EXCAVATORS SOLD IN  
**10 YEARS**

**5–7%**  
TURNOVER FOR RESEARCH  
AND DEVELOPMENT

**FIVE-YEAR  
WARRANTY\***

Quality Changes the World

\* Applicable in certain markets, please check with your local dealer.



**SY135C**

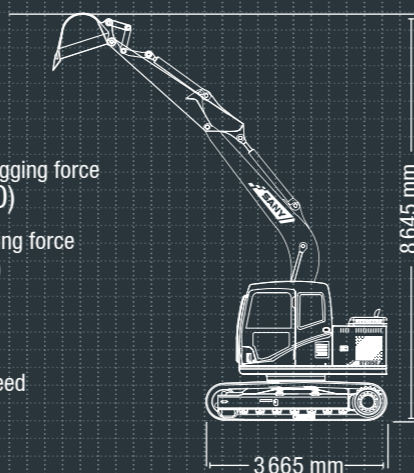
### SY135C HARD FACTS

Max. bucket digging force  
103 kN (ISO)

Max. arm digging force  
67 kN (ISO)

Swingspeed  
12 rpm

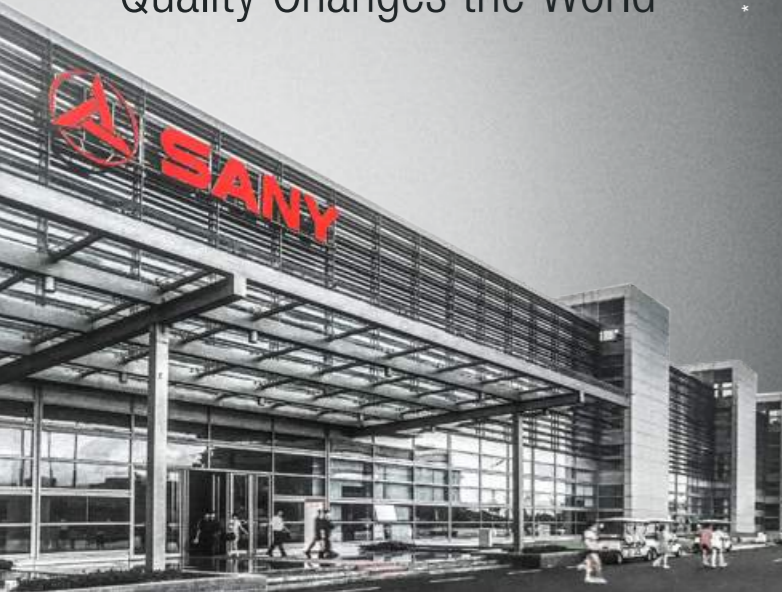
Max. travel speed  
5.3 km/h



## COMPACT EXCAVATOR REDEFINED

Despite its compact design, the SANY SY135C displays impressive versatility and performance. The universal machine is outstanding at digging, crushing, loading and backfilling. Perfect for use in places where space is limited: In road and canal construction, inner city areas, horticulture and landscaping and demolition work. Its power allows it to reach high excavating forces which would otherwise only

be possible with significantly bigger machines. All that with an astonishingly large operating radius. This saves time, since the machine therefore needs to be moved far less often on the construction site. Talking of movement, the compact dimensions of the machine facilitate easy and safe transport.



## TOP PROPERTIES

ECONOMY

# STRONG PERFORMANCE WITH LOW FUEL CONSUMPTION

More work with less fuel – the SY135C's sophisticated engine and hydraulic concept makes this a reality. The hugely powerful diesel engine, equipped with common rail technology and AdBlue emission control, puts on a strong show with its maximum torque of 375 Nm and 1 800 rpm. A choice of various operating modes and automatic speed reduction optimise fuel consumption in a tangible way. This is where power meets efficiency. The total savings thanks to improved fuel efficiency result in significant economic benefits.

**SY135C**

ECONOMY

### The right kind of pressure

Both powerful variable displacement axial piston pumps are operated in such a way that they only build up as much pressure as is actually required. This saves fuel and prolongs the life of the components.

In addition, its hydraulic system has a sophisticated structure, which reduces friction loss and pressure drops in the pipelines and ensures that power is transferred efficiently for all working condition's.

### QUALITY

**Quality is worth it** – High-quality components improve the machine's durability, while additionally increasing the intervals between each maintenance and service.

### DIMENSIONS

**Compact power** – The SANY SY135C tackles work extremely efficiently as a compact excavator. High performance and impressive stability – the perfect combination to complete all tasks quickly and reliably on the construction site.

### USER EXPERIENCE

**Easy to maintain** – The engine bonnet that can be fully opened and the clear arrangement of the key components in the centre make maintenance and service quick and easy.



QUALITY

### With the benefit of robustness

Durability and robustness are standard features on all SANY excavators. The reinforced structure of the SY135C lends the chassis exemplary stability, thereby prolonging the machine's service life. What's more, all of the panels are made solely of metal, which makes them particularly resilient.

### SAFETY

**Comprehensive protection** – In addition to the rotating beacon and the driving alarm, the safety package also includes the fenders above the shield cylinders.

### COMPONENTS

**Reliable drive** – The tried-and-tested ISUZU-4JJ1X engine guarantees reliable performance in the long term, even in harsh working conditions.

### ECONOMY

**Efficiency and power** – The smart control system adapts the pump capacity to the available engine power for greater cost-effectiveness and reduced fuel consumption.



### Absolute reliability – for peace of mind!

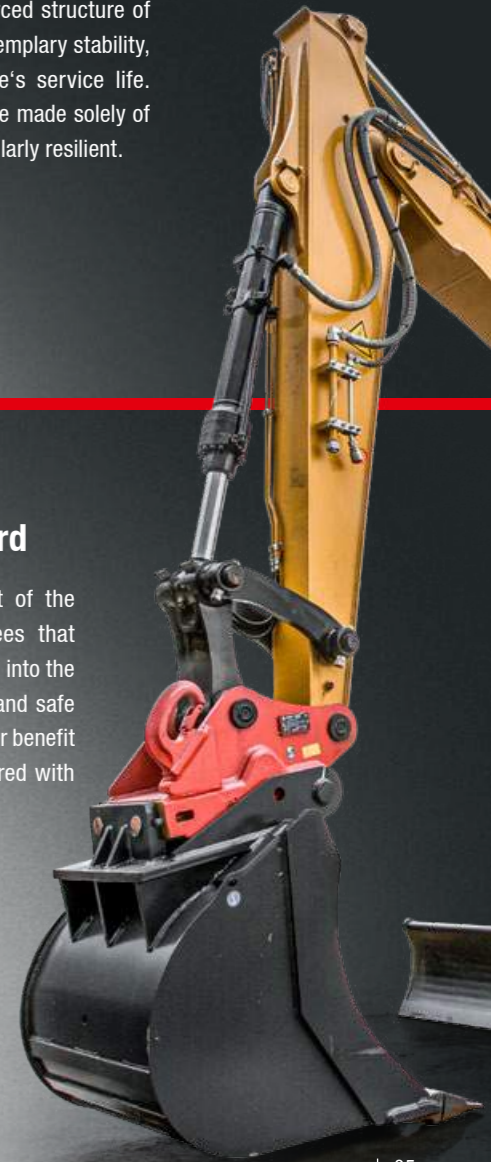
SANY's five-year warranty\* gives you the assurance that you can fully count on your equipment.

\* With participating partners

COMPONENTS

### Flexibility as standard

The full hydraulic arrangement of the quick-change system guarantees that functions are perfectly integrated into the control menu, facilitating quick and safe attachment replacement. A further benefit is time and cost savings compared with regular retrofitting.





USER EXPERIENCE

**Control with feeling**

The joystick control enables all functions of the excavator to be operated intuitively. The hydraulics valve control responds to commands immediately. Together with the automatic speed setting, this enables work to be carried out precisely and safely with higher efficiency and lower fuel consumption for the same operation. Not forgetting the large multifunctional monitor, which is easy to read and navigate, and displays all important information.

**Our highlights – the added benefits SANY offers you:**

- + A comfortable driver's cab with numerous extras
- + Robust, wide heavy-duty undercarriage
- + Hydraulic arrangement of the quick-change system
- + High-resolution colour display
- + High-quality machining thanks to robot-manufactured welded seams
- + Extensive safety equipment
- + LED work lighting

SAFETY

**Minimising risks**

Ergonomic handrails enable safe access to the maintenance platform. Large mirrors facilitate safe movement during operation, while the integrated safety valves keeps the boom and arm in position, even in the worst-case scenario.



USER EXPERIENCE

**THE PREMIUM CLASS OF DRIVER COMFORT**

A key feature of the SY135C is comprehensive comfort for its drivers. Excellent insulation around the cab provides reliable protection from noise and vibrations, as well as from high and low temperatures. The air-suspension driver's seat, provided as standard, offers the best possible comfort and protection from fatigue with its high seat backrest and various adjustment options. Plenty of space and room for movement, a radio and a 12 V jack, adjustable ventilation, heating and an automatic climate control system, a huge amount of stowage space, various options for storage and much more complete the comfort package.



DIMENSIONS

**EVERYTHING WITHIN REACH**

The SY135C impresses on-site thanks to its stability and stableness, meaning it brings its power quickly and safety to where it is needed. Its large working radius is also a plus point, with a maximum horizontal reach of 8290 mm and maximum excavation depth of 5500 mm. The heavy dozer blade ensures additional stability.



## ENGINE

Model	ISUZU 4JJ1X
Typ	Water-cooled, 4 cylinder, with commonrail and Adblue
Exhaust emissions	Stage IV
Rated power	73 kW / 2 000 rpm
Max. torque	375 Nm / 1 600 rpm
Displacement	2 999 ccm
Batteries	2 x 12V / 120 Ah

## SERVICE REFILL CAPACITIES

Fuel tank	245 l
Engine coolant	23.6 l
Engine oil	15 l
Drive (per side)	1.8 l
Adblue	20 l
Hydraulic oil tank	140 l

## PERFORMANCE

Swingspeed	12 rpm
Max. travel speed	High 5.3 km/h, slow 3.1 km/h
Max. travel force	114 kN
Gradeability	35°
Bucket capacity	0.6 m³
Groundpressure	0.39 kg/cm²
Bucket digging force ISO	103 kN
Arm digging force ISO	67 kN

## OPERATING MASS

SY135C	15 100 kg
--------	-----------

## RELIEF VALVE SETTINGS

Implement circuit	343 bar
Swing circuit	250 bar
Travel circuit	343 bar
Pilot pressure	39 bar

## HYDRAULIC SYSTEM

Mainpump	2 x variable-piston-pump with electronic positive control
Max. oilflow	2 x 110 l/min
Travelmotor	2 speed axial piston motor with planetary reducer and automatic multi-disc brake
Swingmotor	Axial piston motor with planetary reducer and automatic holding brake
Max. oilflow (AUX1)	110 l/min

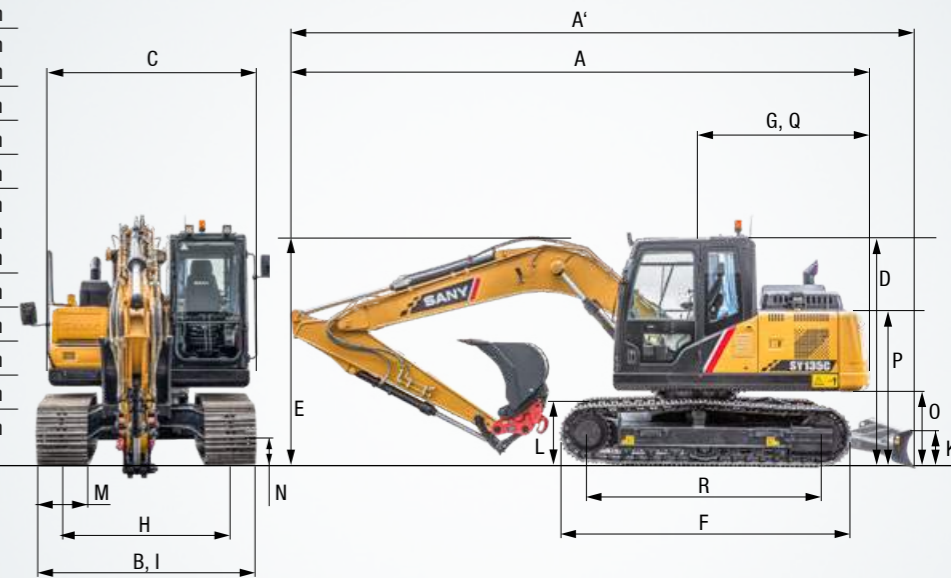
## UNDER AND UPPER STRUCTURE

Boom length	4 600 mm
Arm length	2 500 mm
Bottomrollers	7
Toprollers	1
Rotation device	Planetary gear reducer driven by an axial piston motor, automatic hydraulic released slewing brake

## DIMENSIONS (TRANSPORT)

A Transport length	7 700 mm
A' Transport length (blade)	8 850 mm
B Transport width*	2 590 mm
Transport width**	2 490 mm
Transport width***	2 690 mm
C Upperstructure carriage	2 490 mm
D Height over cabin/ROPS	2 820 mm
E Height of Boom – transport	2 815 mm
F Overall length of crawler	3 665 mm
G Tail length	2 205 mm
H Track gauge	1 990 mm
I Undercarriage width (blade)*	2 590 mm
Undercarriage width (blade)**	2 490 mm
J Horizontal distance to blade	2 650 mm
K Blade height	480 mm
L Track height	815 mm
M Track pads width	500 mm 600 mm 700 mm
N Min. ground clearance	425 mm
O Counterweight clearance	910 mm
P Engine cover height	2 130 mm
Q Tail swing radius	2 205 mm
R Center distance of tumbler	2 930 mm

\* at 600 mm track pads width  
\*\* at 500 mm track pads width  
\*\*\* at 700 mm track pads width



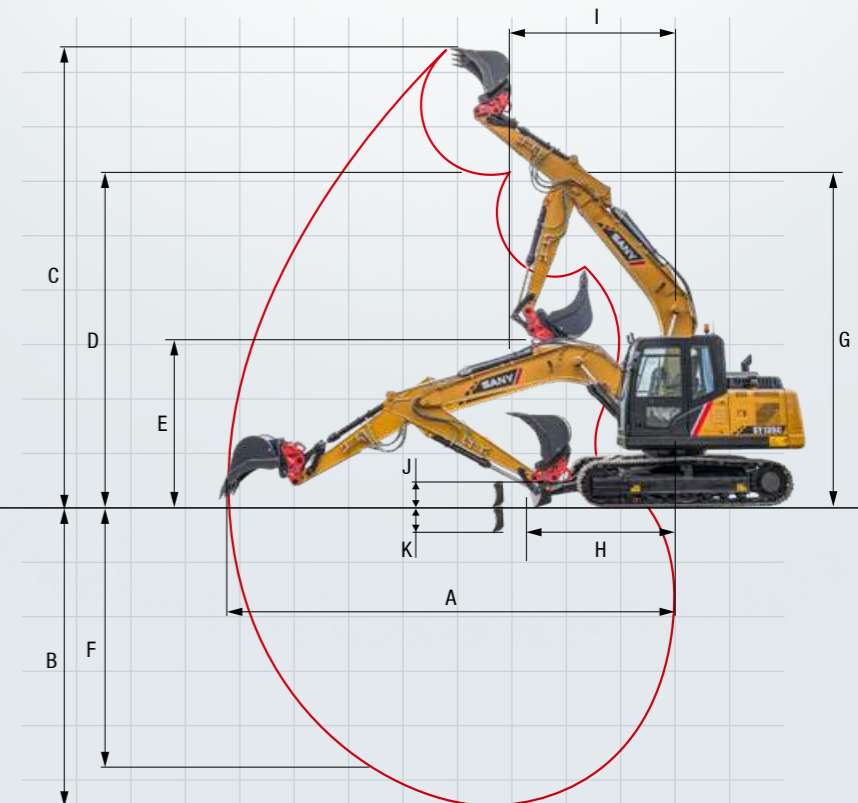
## LIFTING CAPACITIES OF LOWER AND UPPER DOZER BLADE \*

Load point height	Radius								Digging reach		
	2.0 m / 6.6 ft	3.0 m / 9.8 ft	4.0 m / 13.1 ft	5.0 m / 16.4 ft	6.0 m / 19.7 ft	6.0 m / 19.7 ft	7.0 m / 23.0 ft	only below	only above	Maximal	Maximal
7.0 m kg			3200	3200						2550	2550
23.0 ft lb			7055	7055						5620	5620
6.0 m kg				3150	3150					2250	2250
19.7 ft lb				6945	6945					4960	4960
5.0 m kg				3500	3500	2400	2400	2400	2400	2100	2100
16.4 ft lb				7715	7715	5290	5290	5290	5290	4630	4630
4.0 m kg			3950	3950	3700	3500	3550	2650	3550	2050	2050
13.1 ft lb			8710	8710	8150	7715	7825	5840	7825	4520	4520
3.0 m kg	5800	5800	4650	4650	4050	3400	3700	2600	3700	2050	2050
9.8 ft lb	12785	12785	10250	10250	8930	7495	8160	5730	8160	4520	4520
2.0 m kg	7500	6800	5450	4500	4500	3300	3950	2550	3900	2100	2100
6.6 ft lb	16535	14990	12015	9920	9920	7275	8710	5620	8600	4630	4630
1.0 m kg	6800	6450	6150	4300	4900	3200	4150	2500	3800	2200	2200
3.3 ft lb	14990	14220	13560	9480	10800	7055	9150	5510	8380	4850	4850
Ground line	6750	6300	6500	4200	4900	3100	4300	2450	3750	2350	2350
kg										5180	5180
lb										11420	11420
-1.0 m kg	4550	4550	8450	6250	6550	4100	5200	3050	4250	2400	2600
-3.3 ft lb	10030	10030	18630	13780	14440	9040	11465	6725	9370	5290	5730
-2.0 m kg	6900	6900	8150	6300	6300	4100	5000	3050	3950	2400	3050
-6.6 ft lb	15210	15210	17965	13890	13890	9040	11025	6725	8710	5290	6725
-3.0 m kg	9600	9600	7200	6350	5600	4150	4350	3100			3750
-9.8 ft lb	21165	21165	15870	14000	12345	9050	9590	6835			8270
-4.0 m kg			5500	5500	4150	4150					3550
-13.1 ft lb			12125	12125	9150	9150					7825

\* at 600 mm track pads width

## WORKING AREA

A Max. digging reach	8 290 mm
B Max. digging depth	5 500 mm
C Max. digging height	8 645 mm
D Max. dumping height	6 175 mm
E Min. dumping height	2 920 mm
F Max. vertical digging depth	4 850 mm
G Overall height over arm by min. swing radius	6 500 mm
H Arm head distance with work equipment retracted as far as possible	2 650 mm
I Min. swing radius	2 500 mm
J Max. clearance when blade up	490 mm
K Max. depth of blade down	320 mm





### The SY135C – outstandingly well-equipped as standard

Already fitted ex-works with an excellent range of equipment. The SANY SY135C is superbly equipped as standard with optional additional equipment to broaden its scope of possible applications.

#### OPERATORS COMFORT / CABIN

Airsuspension seat	●
Heated seat	●
Heater	●
Automatic air conditioning C/H	●
Radio and speaker	●
Armrests (adjustable)	●
12v outlets	●
Wiper	●
Sprayer f. wiper	●
Sky light openable	●
Integrated cooling box	●
AUX 1 on Joystick	●
AUX 2 on Joystick	●
Removable front-window	●
Rubberfloor	●

#### WORKING LIGHTS

Lights – front (LED)	●
Lights – boom (LED)	●
Lights – platform (LED)	●

#### UNDERCARRIAGE

Steel tracks	●
Cylinder guardes – dozer blade	●
Holes/loops for fixing	●

Standard equipment ● Special option ●

#### WORKING EQUIPMENT

Boom and arm load holding valves with overload indicator	●
Double acting circuit for hydraulic quick coupler with piping	●
Breaker&Shear line proportional on Joystick with piping	●
Rotation line proportional on Joystick with piping	●
Flow adjustment for attachments	●
Dozer blade	●
Without dozer blade	●
Arm 3000 mm	●

#### SAFETY

Battery master switch	●
Warning beacon	●
Lockable hoods	●
Handrails	●
Lockablge fuel cap	●

#### ENGINE

Auto idle	●
Diesel filter	●

#### HYDRAULIC SYSTEM

Swing brake	●
2 speed travel	●
Hydr. Pre-pressure operating joysticks	●
Piping for additional hydraulic function AUX 1	●
Piping for additional hydraulic function AUX 2	●
Mainfilter	●

The standard and special options differ depending on the country in which the compact excavator is delivered. If you have any questions, please contact your dealer directly.

### Parts supply – quick and reliable

With the purchase of a SANY compact excavator you have made an investment in the future. Fast availability of spare parts is your guarantee of minimal downtimes and failure times.

# A SERVICE YOU CAN RELY ON

Just as we do with our excavators, we also demand high quality and reliability of our service products. This underlines our equipment's performance in terms of their durability and their excellent price-performance ratio. After all, maintenance is crucial

for efficiency, cost-effectiveness and safety. Your SANY dealer is happy to help you with a comprehensive range of services to ensure that your machine continues operating efficiently in the long term.

### SANY – flexible, fast and always there for you

Rapid assistance, tailored advice and a reliable supply of original parts – that is what we mean by a premium service.



# NSW



#### The added benefits SANY offers you:

- + Fast supply due to central located parts warehouses
- + More than 15,000 spare parts to make your machine highly reliable
- + Expert knowledge for optimal supply for your machine
- + Thanks to SANY's special training programme, our dealers are always kept up-to-date so that they can face all technical challenges.

### Detailed information in black and white

Handbooks and documents are available for all SANY compact excavators, and these can help you with operation, maintenance, servicing and repairs. These include operating and maintenance instructions and technical specifications.



# PERFORMANCE YOU CAN RELY ON



The SY135C resoundingly proves that the performance of a compact excavator is not necessarily determined by bulky size. Weighing a total of almost 15 tonnes, it offers the optimum ratio of power to manoeuvrability. In addition, the robust, wide heavy-duty undercarriage and the robust dozer blade provide a high level of stability. This allows it to optimally apply its power – for a comprehensive range of applications anywhere where larger machines have to fit.

## QUALITY IS WORTH IT

**High-quality materials** and careful machining are the basis for a **long service life**. This is part of a sophisticated concept: For example, the boom on the **topside and underside is manufactured from one single sheet** and welded continuously from front to back.

## COMPACT POWER

The machine offers **excellent excavating forces at maximum stability** for its class.

## EASY TO MAINTAIN

All routine checks and work on the machine can be carried out quickly and easily. For example, the machine's various bearings can be lubricated with **grease nipples from just one point**.

## COMPREHENSIVE PROTECTION

Safety for users, machines and the working environment is of the utmost importance at SANY. The SY135C's **safety equipment** includes, amongst other features, a **driving alarm and rotating beacon, an overload warning** for lifting, **safety valves** and of course the corresponding **protective plates over the blade cylinders**.

## RELIABLE DRIVE

The powerful **ISUZU-4JJ1X engine** with AdBlue emission control ensures the correct forces are applied for all tasks.

## EFFICIENCY AND POWER

In conjunction with the electronic fuel injection, the **autothrottle function** adjusts the engine speed to the power required. This means that the smart hydraulic system **reduces the fuel consumption**, engine wear and exhaust emissions.

## TECHNICAL HIGHLIGHTS

Engine	ISUZU 4JJ1X
Rated power	73 kW / 2 000 rpm
Max. torque	375 Nm / 1 600 rpm
Max. travel speed	5.3 km/h
Swingspeed	12 rpm
Mainpump	2 x variable-piston-pump with electronic positive control
Max. oilflow	2 x 110 l/min

Not all products are available in all markets. As part of our continuous improvement process, we reserve the right to modify specifications and designs without giving prior notice. The figures may contain additional options.

**YELLO EQUIPMENT**

**SANY AUTHORISED DEALER**

P: 1300 093 556

W: [YELLOEQUIPMENT.COM](http://YELLOEQUIPMENT.COM)

**YELLO**<sup>TM</sup>  
EQUIPMENT